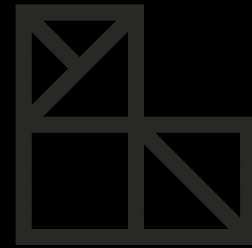


DESIGNED  
SWITCHES

**Lithoss**

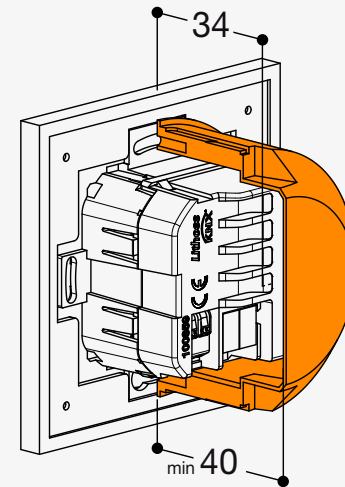


## 2. Home automation systems

### 2.1 KNX sensor



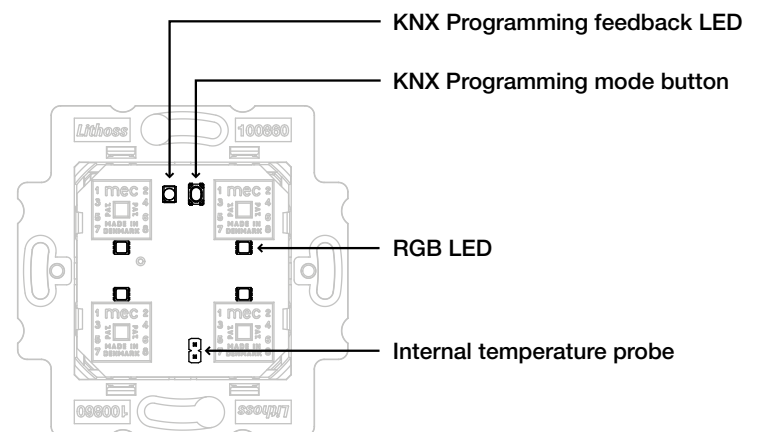
01 Stainless Steel



Power consumption: 4 mA

## Features

- Fully integrated KNX sensor.
- Individual RGB led feedback.
- Integrated temperature sensor.
- 1 bit commands: on / off toggle with short / long press.
- 1 byte commands (0-255 / HVAC / value %).
- Orientation light led function.
- Connect external temperature sensor.
- Sequences with different group addresses.
- Scene management.
- Easy set-up (compatible with ETS4 & ETS5).
- Thermostat function.





Led feedback per button



Individual RGB led feedback



Orientation light with different brightness

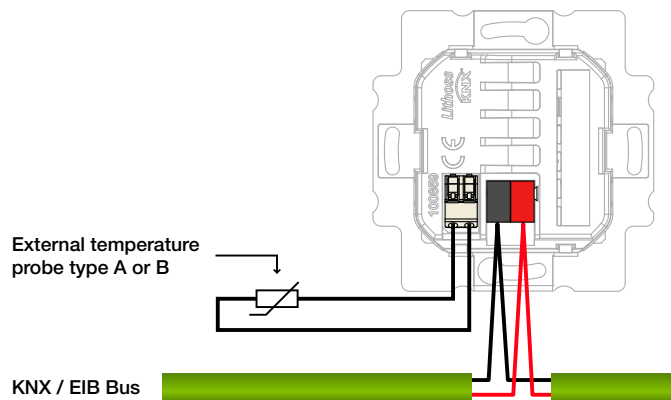


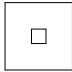
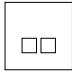
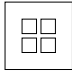
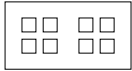
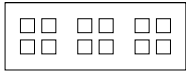
Orientation light with RGB

#### Optional temperature probes

Acc003 Type A (-20°C / +100°C)

Acc004 Type B (-50°C / +60°C)



	Select	Select Flush	Squares	Squares Flush
	NiK1xx	NFK1xx	SqK1xx	SFK1xx
	NiK2xx	NFK2xx	SqK2xx	SFK2xx
	NiK4xx	NFK4xx	SqK4xx	SFK4xx
	NiK4K4xx	NFK4K4xx	SqK4K4xx	SFK4K4xx
	NiK4K4K4xx	-	SqK4K4K4xx	-

xx Add the color code at the end for any color you desire.

