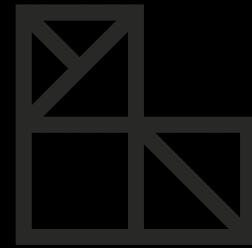


DESIGNED  
SWITCHES

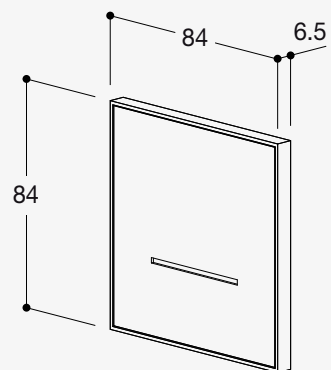
**Lithoss**



# Luminaires

## Nightguide

### 29 Copper



Type	Ref.
250V (1W)	Lu00xx

Color temperature: 2700K

### Bronze Antique



Type	Ref.
250V	Lu0017

### Stainless Steel



Type	Ref.
250V	Lu0001

### Tin Antique



Type	Ref.
250V	Lu0019

### Gunpowder Black



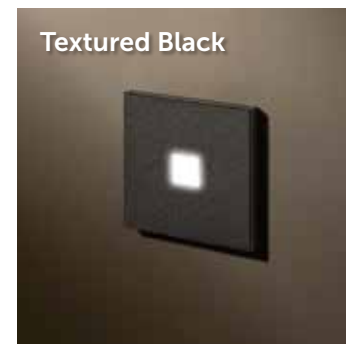
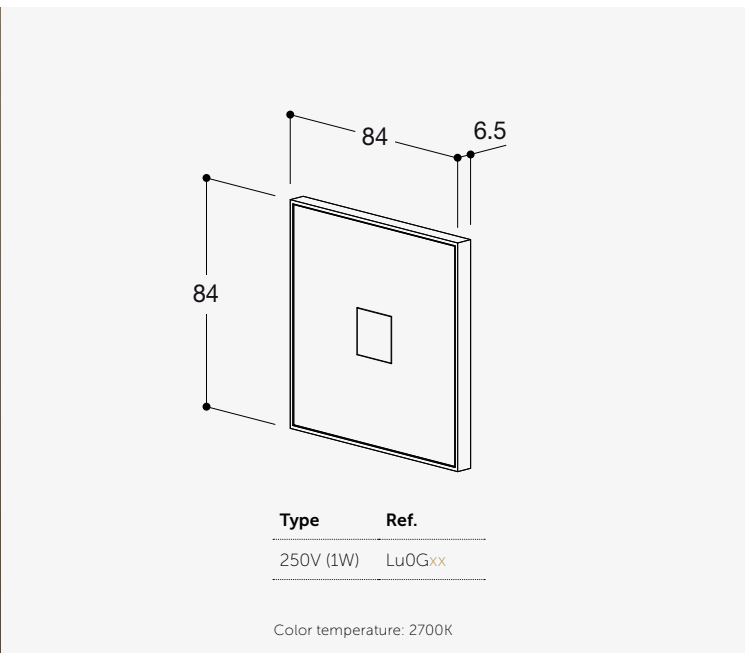
Type	Ref.
250V	Lu0003



# Luminaires

## Gatekeeper

18 Matt Black



Type	Ref.
250V	Lu0G08

Type	Ref.
250V	Lu0G20

Type	Ref.
250V	Lu0G02

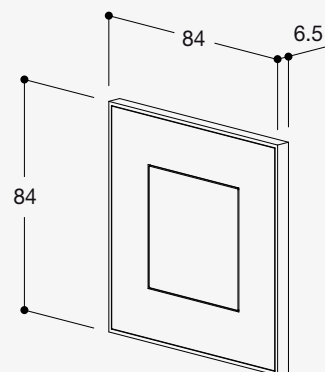
Type	Ref.
250V	Lu0G14



# Luminaires

## Q Light

02 Matt White



Type	Ref.
250V (1W)	Lu0Sxx

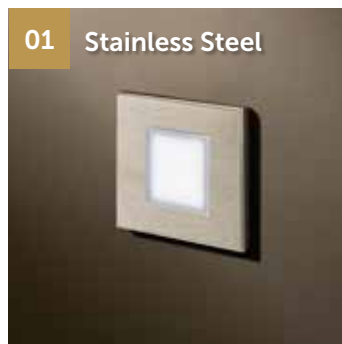
Color temperature: 3000K

09 Nickel



Type	Ref.
250V	Lu0S09

01 Stainless Steel



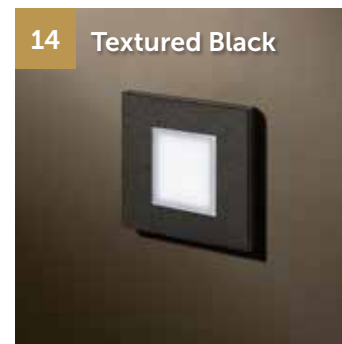
Type	Ref.
250V	Lu0S01

13 Textured White



Type	Ref.
250V	Lu0S13

14 Textured Black



Type	Ref.
250V	Lu0S14



# Luminaires

XT



Finish	Ref.
Stainless steel	Lu7T01
Matt white RAL9010	Lu7T02
Textured white RAL9010	Lu7T13
Textured black	Lu7T14

Finish	Ref.
Stainless steel	LuET01
Matt white RAL9010	LuET02
Textured white RAL9010	LuET13
Textured black	LuET14



Finish	Ref.
Stainless steel	LuFT01
Matt white RAL9010	LuFT02
Textured white RAL9010	LuFT13
Textured black	LuFT14

Finish	Ref.
Stainless steel	Lu8T01
Matt white RAL9010	Lu8T02
Textured white RAL9010	Lu8T13
Textured black	Lu8T14

