





06 Project:
Private Villa



08 Flashback to fair:
Maison & Objet Paris -
Hotel Bel'chique



12 Project: FIDURO -
Select Matt White RAL9010

03 Introduction

11 New product family:
SQUARES

20 New product:
integrated KNX sensor

04 Product upgrade:
Magnet Power

12 Project:
FIDURO - Select Matt White
RAL9010

22 Hands on Design:
Ingrid Adriaenssens

06 Project:
Private Villa

14 Ever thought about combining?

23 Brand new:
Catalogue 2017

08 Flashback to fair: Maison & Objet
Paris - Hotel Bel'chique

16 News from production:
in-house engraving

10 New product:
integrated teleruptor

18 Updated product:
24V-250V push buttons



INTRODUCTION



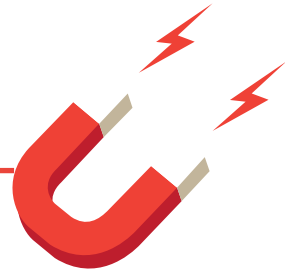
Lithoss was not only given a new logo, our products underwent a true metamorphosis. Our Lithoss products with new magnet frame will hugely simplify your installation. This is not the only product improvement we want to surprise you with. You can find more product innovations, including our new fully integrated KNX switch, in this issue of our magazine.

Our brand new logo is gracing the cover of this issue. A new logo that perfectly reflects the values we represent :

- Sophisticated Power
- Intelligent simplicity
- Wide range flexibility
- Technology
- Functional, Pure & High End



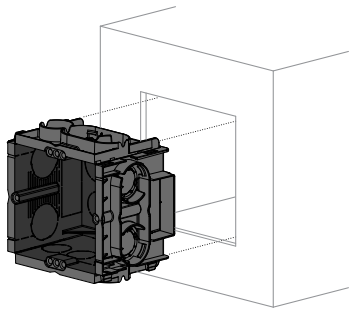
Product upgrade ■ Magnet Power



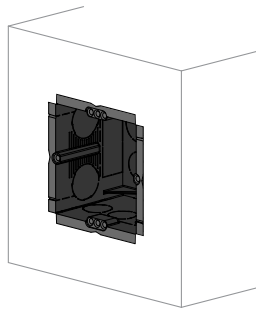
Installing cover plates using clips and plastic clamps is a thing of the past.

We are switching to magnets to attach the cover plates to our switches. The magnets consist of neodymium (Nd2Fe14B), a material that does not lose its magnetic property and is extremely powerful, which makes it ideal for our Lithoss products. A genuine product improvement that will significantly simplify your installation.

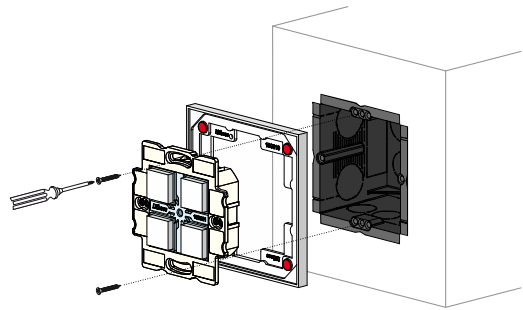
To remove the cover plate once it has been installed, all you have to do is insert, for instance, a paperclip inside the small hole at the bottom of the switch.



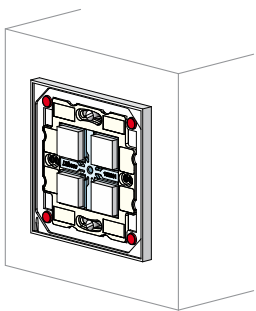
STEP 1



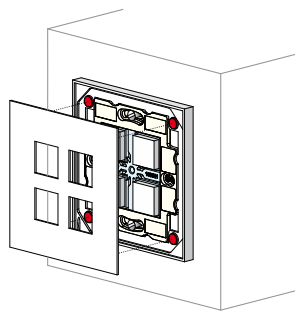
STEP 2



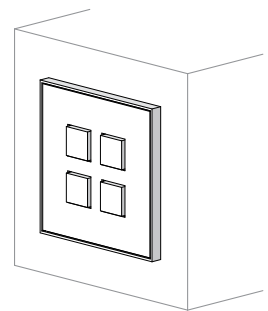
STEP 3



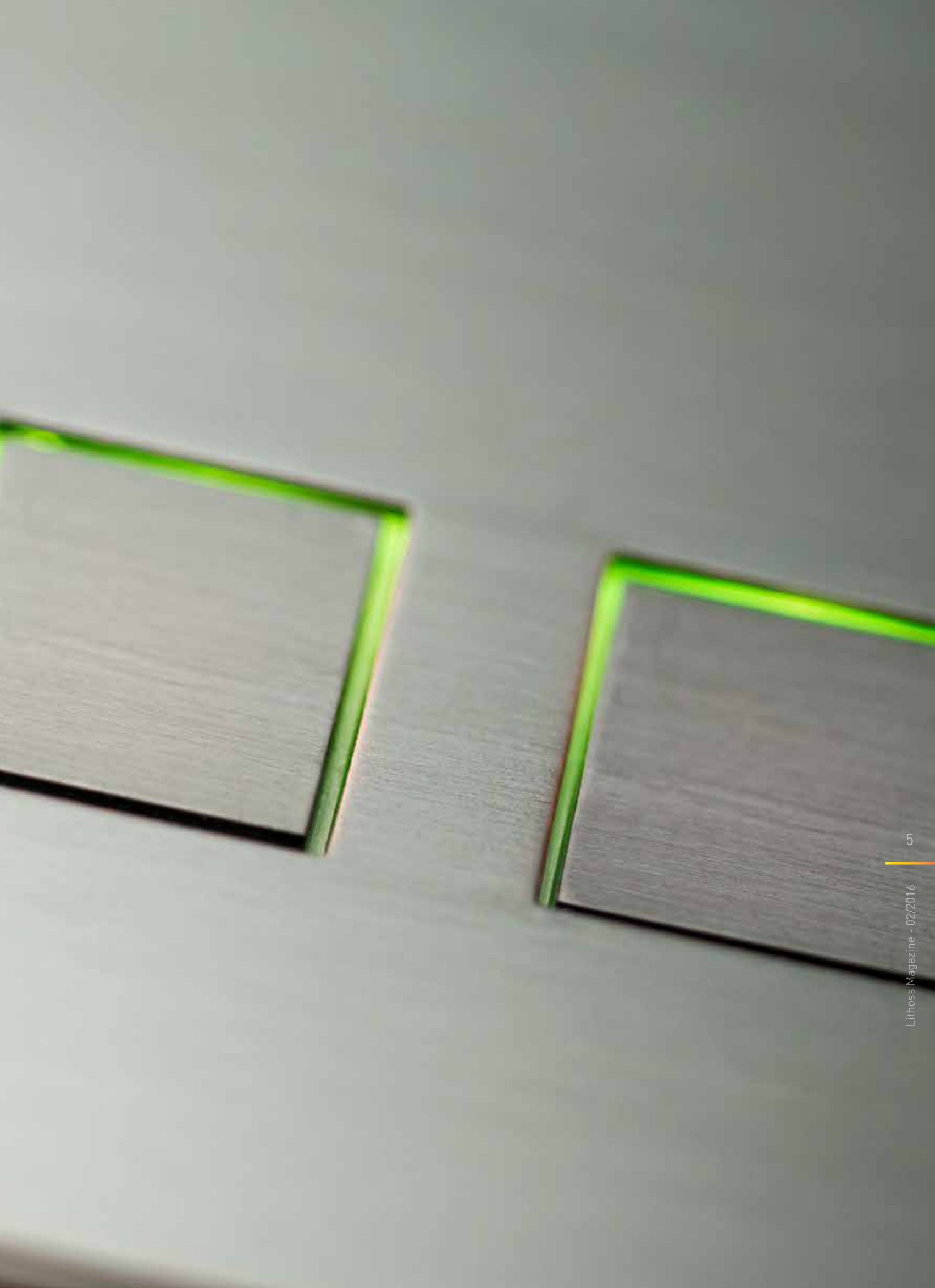
STEP 4



STEP 5



STEP 6



Project ■ Private Villa





Flashback to fair ■ Maison & Objet (Paris)

Our participation this year in Maison & Objet has not gone unnoticed. Together with nine Belgian fellow manufacturers we launched a new concept: Hotel Bel'Chique. We transformed our stand into a chic hotel room furnished with Belgian products only. Lithoss showed, among others, its 'combinations', which stirred many an architect.

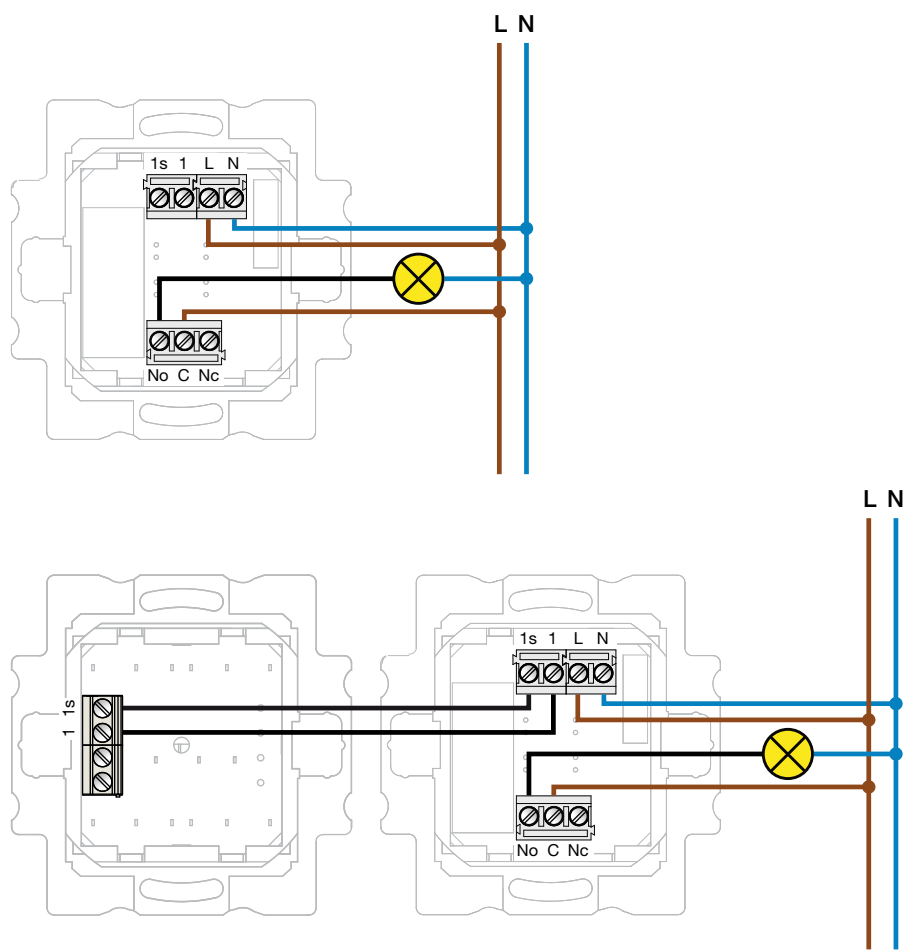
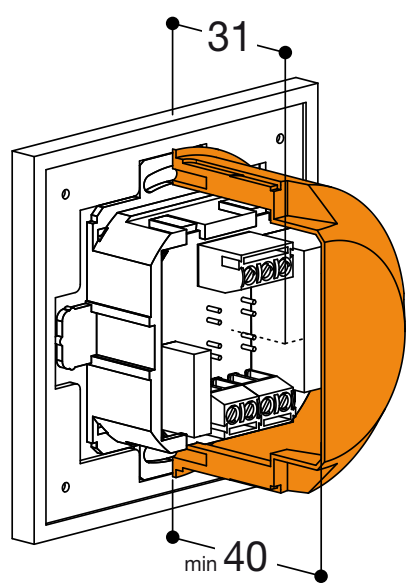
www.hotelbelchique.be





New product ■ integrated teleruptor

At Lithoss we like intensive integration, which is why we also developed an integrated teleruptor. The advantages include an small installation depth and ease of installation. Available for single, double , triple and even quadruple switches with one button!



New product family ■ SQUARES

Never change a winning design... But when the timeless design of the Select series was contemporised, everyone was amazed by the result.

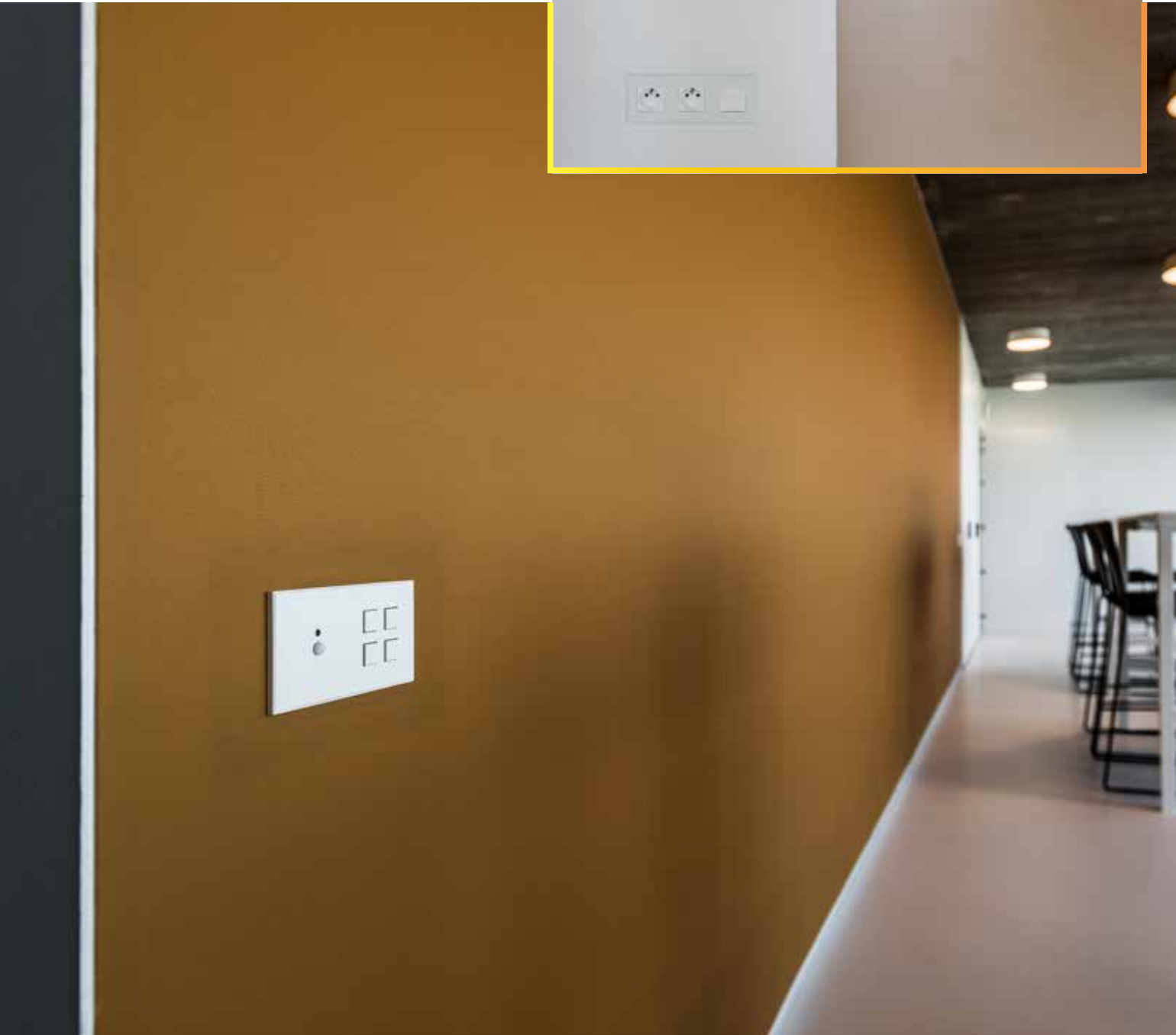
With Squares, the buttons are on the same level as the cover plate so our switch can be austere integrated into any interior. Early next year Lithoss will be launching an new flush solution (flush = submerged into the wall), where the Lithoss design will shine even more in all its glory.



Project in the spotlight ■ Fiduro

Product: Select Matt White RAL9010
Technology: Qbus

www.fiduro.be





Ever thought about combining?

What makes Lithoss unique, are the almost limitless possibilities in the area of functionality, finish, combination options and personalisation.

Switches, sockets, USB chargers, sensors and thermostats, whether or not connected to the most advanced domotics systems: Lithoss offers a wide range of applications. Just think of, for instance, a panel you can install at the head of your bed with switches, USB charger, socket(s) and even lighting.



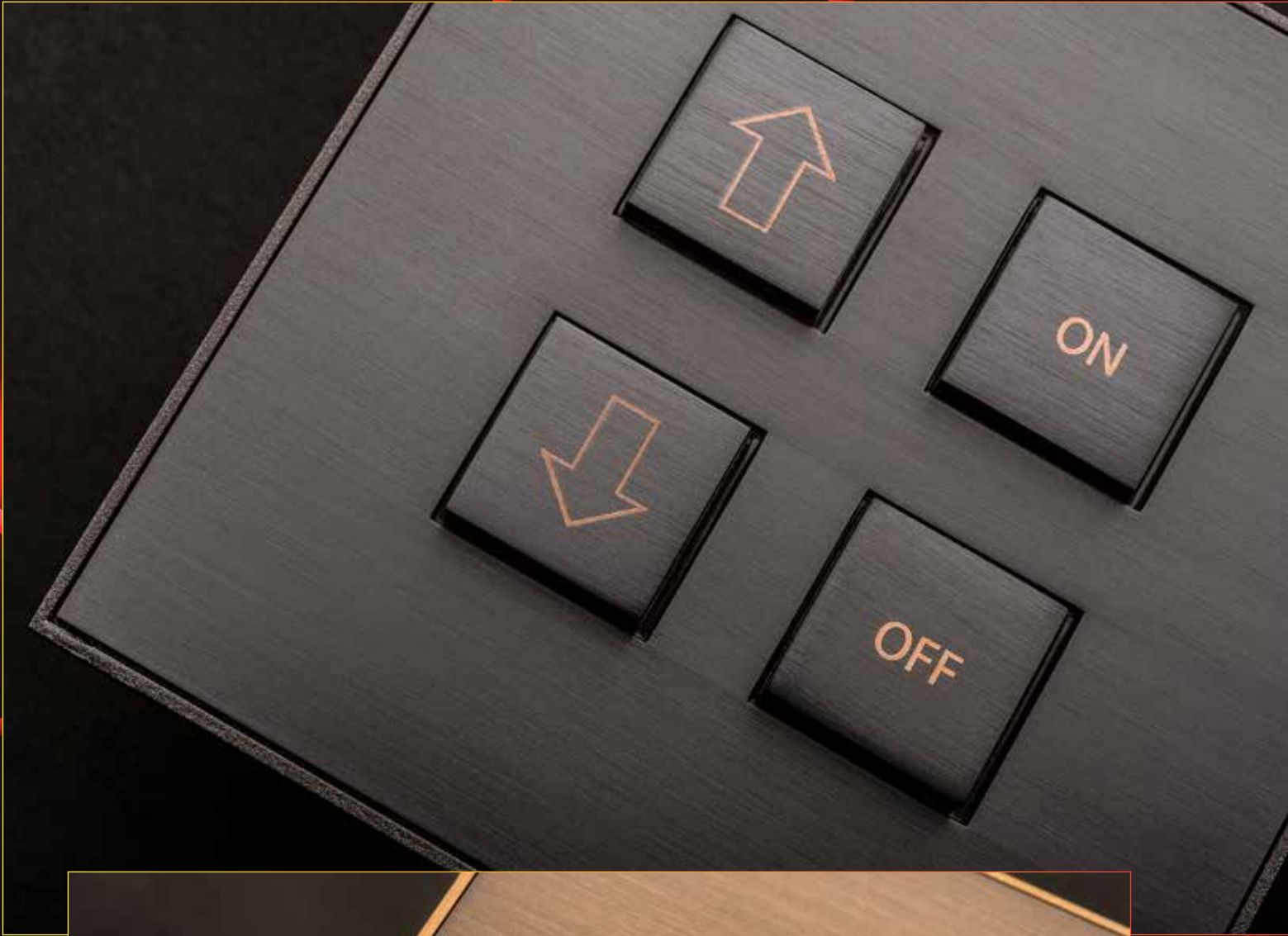


Laser engraving



Apart from the wide range of designs, materials and functionalities, the Lithoss products can now also be engraved as desired. We invested in the purchase of a top notch diode-pumped fibre laser. The laser beam marks the metal with surgical precision. Superficially or deeper, with various intensities. Real added value for our products, with numerous possibilities.

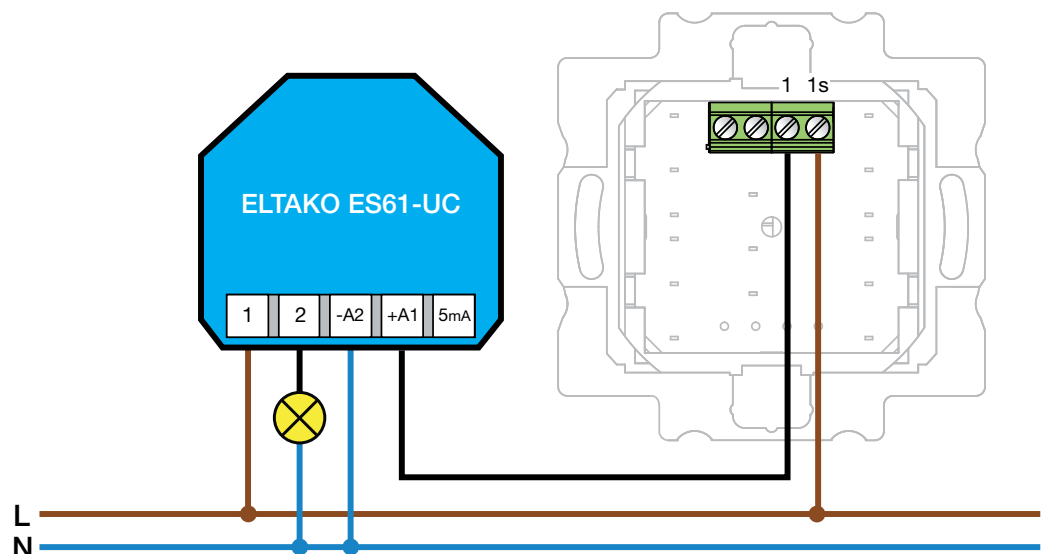
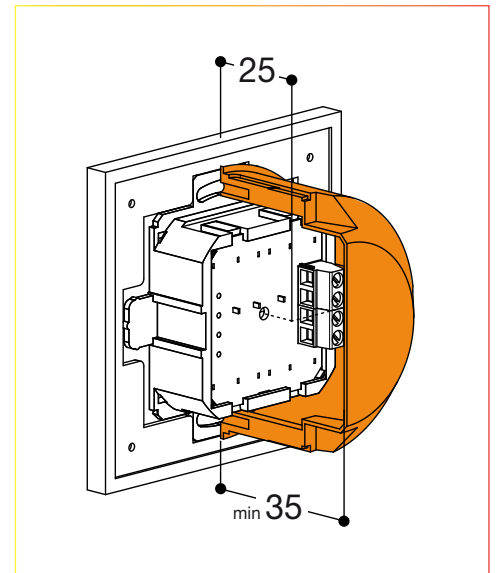
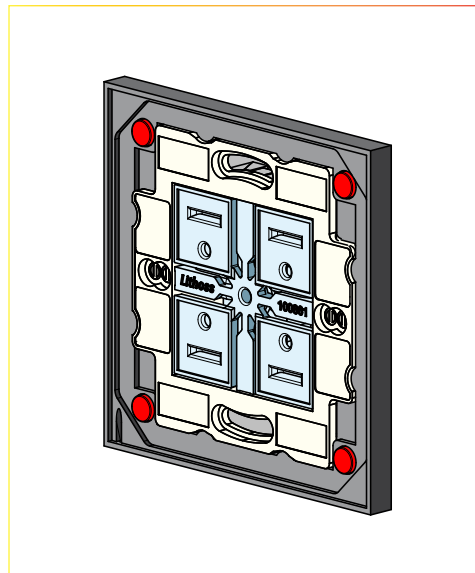






Updated product ■ 24V-250V push buttons

We can definitely call this an extreme make-over. This version (available in the Select and in the Squares collection) was completely reinvented. The PCB has push buttons with tactile feedback, and is easy to connect via the screw connectors on the back. In addition, because of a specially designed inlay pad the buttons are now always tight and even. This version is supplied for 24V as well as 250V push buttons. This new mechanism is of course provided in combination with our new ingenious magnet solutions.



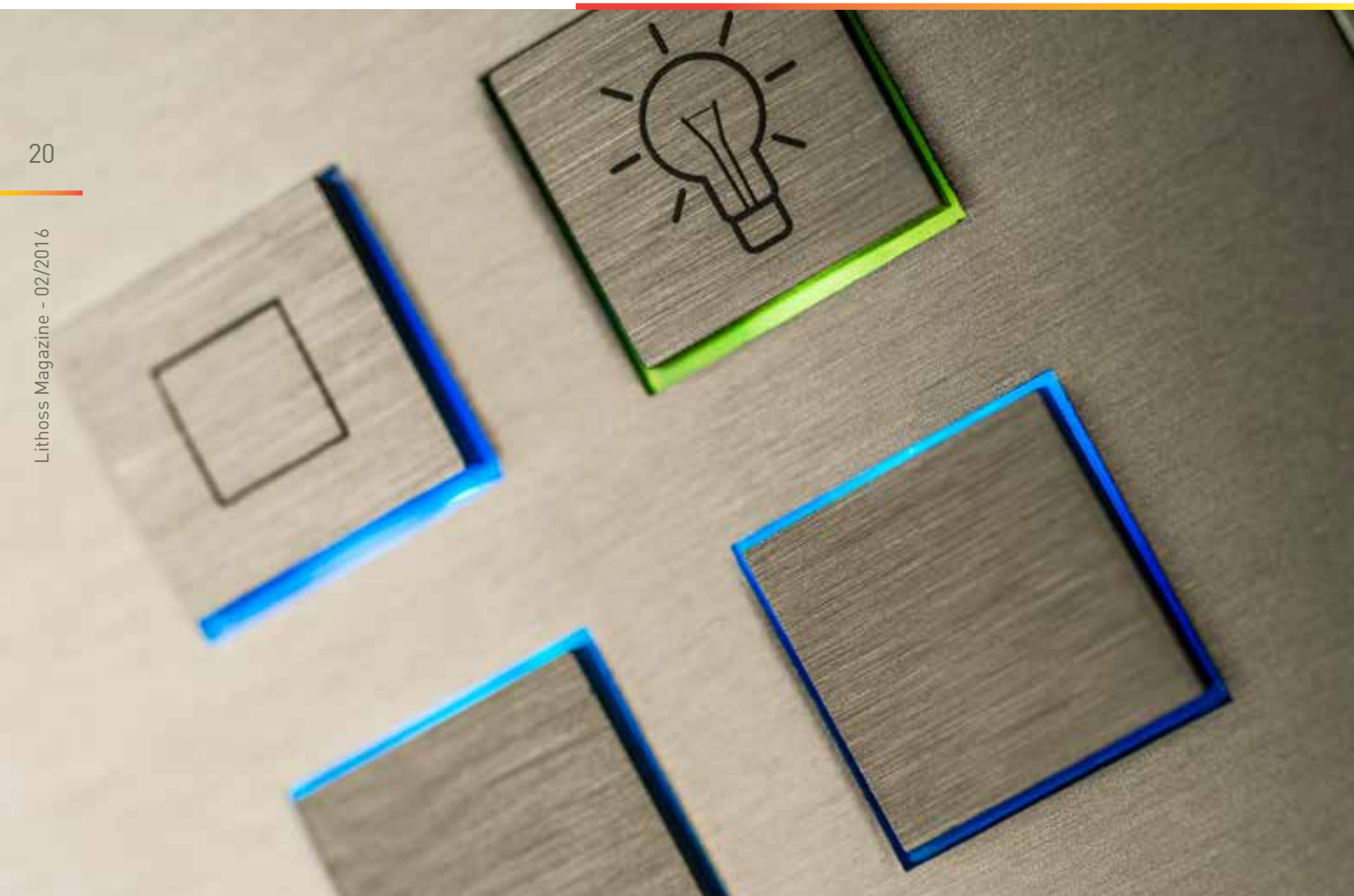
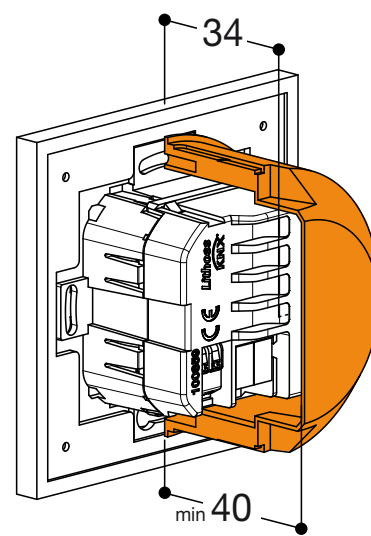
Now available ■ Integrated KNX sensor

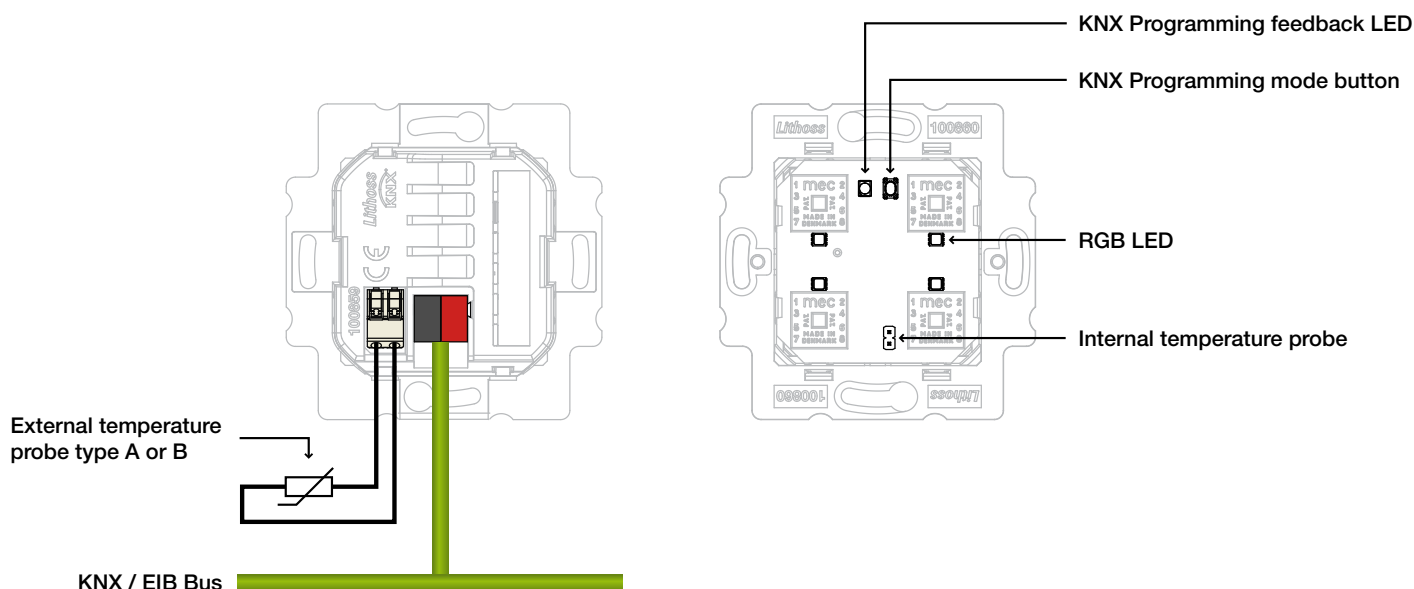
After a development period of several months, we are very proud to present the new integrated Lithoss KNX sensor.

One of the major advantages is its compact form. The switch is incredibly easy to install, simply connect the bus cable via the WAGO clamps at the back, and Bob's your uncle.

The programming button & RGB LED are at the front of the switch, because of which you only have to remove the cover plate to start programming. This KNX sensor always has an integrated temperature sensor, and offers you the possibility of easily connecting matters such as second external sensor.

An additional advantage is the individual RGB LED feedback, because of which one can choose from seven different colours for each button. Functions like long & short pressing are also automatically provided. The possibilities are endless, several scenarios can be developed.





MORE TECHNICAL DATA:

Digital inputs main functions:

- 1 bit commands: load activation / deactivation commands (ON/OFF/TOGGLE) with short press or with differentiation of long and short press
- 1 byte commands (unsigned 0-255 or HVAC commands or value % commands).
- Sending of long action telegrams on the same address of short action or on a different group address
- Cyclic sending
- Sequences (3 commands mixing 1bit/1byte objects) with different group addresses
- Edges for 1 bit / 1 Byte / sequences
- Dimmer management (with single or double push-button)
- Blind / Roller Shutter management (with single or double push-button)
- Scene management
- RGB LED color per button (orientation light, feedback activation by button or ext. input object)

Analog inputs (as temperature sensor) main functions:

- Temperature sensor calibration
- Temperature cyclical sending
- 2 different temperature thresholds to trigger 1 bit telegrams alarm/warning
- Enable / disable of alarm/warnings via 1 bit object

Analog inputs (as thermostat) main functions:

- Temperature sensor calibration
- Different control algorithms: 2 point on/off; PWM; Continuous Control / Fan Coil Control
- Different setting modes: via HVAC automatic / via HVAC Manual / via Setpoint
- Window contact function
- Additional external temperature sensors (optional)

NOTE: TEMPERATURE PROBES:

- 1 internal probe is pre-installed on board.
- Optionally 1 external probe can be installed with specs:
 - NTC temperature probe
 - Type A (from -20°C to +100°C)
 - Type B (from -50°C to +60°C)
 - Max. length of Connecting Cable: ≤ 10 m (twisted cable)
 - Via Poke-in connector

MAX POWER CONSUMPTION = 4mA

REGULATORY COMPLIANCE: EMC directive. Standards EN 50428, EN 50491.



Hands on design ■ Ingrid Adriaenssens

We are glad to introduce Ingrid Adriaenssens.
Why we are doing this will soon become clear...

Ingrid Adriaenssens designs her unique and timeless jewels with fire and warmth. To do so, she uses the time-honoured crafts of forging and casting. She draws with metal as it were in her very own language of form. She uses both traditional and contemporary skills and techniques in bringing together a variety of materials ranging from the delicacy of gold, the sincerity of silver, the richness of precious stones and the warmth of natural fibres, etc. You can view her permanent collection at her workshop but you can also ask her to transform your special wishes and feelings into a fine piece of jewellery.

designvlaanderen.be/triennale

www.ingridadriaenssens.be





Brand new ■ Lithoss catalogue

Hot off the press and it is a gem with not only attractive images of our successful products and stylish finish, but also proper technical information combined in a coherent manner.

Request your copy or already take a look on:
www.lithoss.be/nl/folder



info@lithoss.com
www.lithoss.com

Lithoss - designed switches
Rue de Bengalis 4
B - 7700 Mouscron

T +32 (0)56 48 15 70
F +32 (0)56 48 15 91