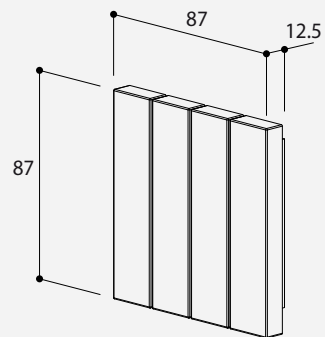




Aesteem



Æsteem



Available in

- ⊙ 24V Push Button
- ⊙ 24V Push Button + feedback RGB led
- ⊙ 24V Push Button + orientation RGB led
- ⊙ 24V Push Button + orientation & feedback RGB led



Push to switch on/off



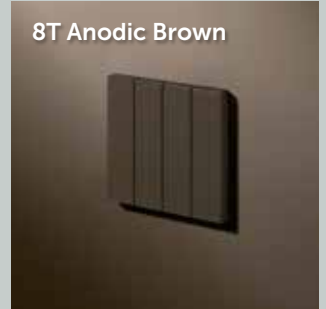
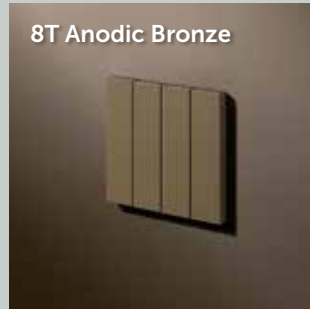
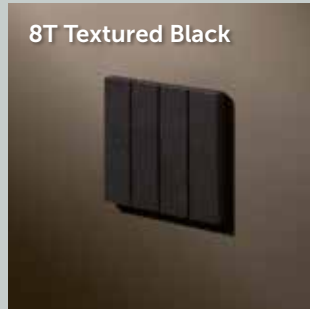
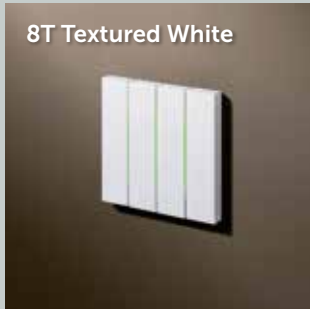
Orientation led



Feedback led



Orientation + feedback led

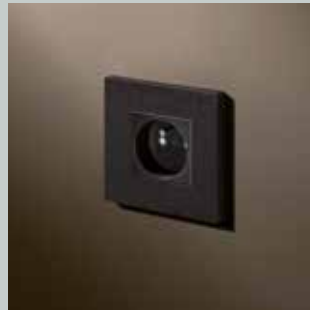


Type	Ref.
24V	Ae3813
24V + feedback RGB led	Ae9813
24V + orientation RGB led	AeG813
24V + orientation & feedback RGB led	AeH813

Type	Ref.
24V	Ae3814
24V + feedback RGB led	Ae9814
24V + orientation RGB led	AeG814
24V + orientation & feedback RGB led	AeH814

Type	Ref.
24V	Ae3844
24V + feedback RGB led	Ae9844
24V + orientation RGB led	AeG844
24V + orientation & feedback RGB led	AeH844

Type	Ref.
24V	Ae3845
24V + feedback RGB led	Ae9845
24V + orientation RGB led	AeG845
24V + orientation & feedback RGB led	AeH845



Frame without socket	
E	Ae0E13
Frame with socket	
EU	Ae0Z13
FR/BE	Ae0X13
UK	Ae0Q13

Frame without socket	
E	Ae0E14
Frame with socket	
EU	Ae0Y14
FR/BE	Ae0W14
UK	Ae0R14

Frame without socket	
E	Ae0E44
Frame with socket	
EU	Ae0Y44
FR/BE	Ae0W44
UK	Ae0R44

Frame without socket	
E	Ae0E45
Frame with socket	
EU	Ae0Y45
FR/BE	Ae0W45
UK	Ae0R45