

ARPI

DESIGNED
SWITCHES

Lithoss

The logo icon consists of two overlapping squares. The top square is yellow and the bottom square is orange. Both squares have a diagonal line from the top-left corner to the bottom-right corner.



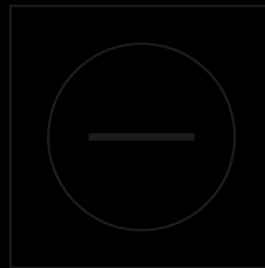
Sophisticated power.
Intelligent simplicity.
Functional, pure and high-end.
In perfect harmony
with every space:

Lithoss
designed pureness

Lithoss 

Lithoss ARPI

floor outlets



Since 1983, AMPI sprl has been well established in the market as a manufacturer of professional waffle makers and floor outlets. Founded in Liège, but based in Hannut since 2013, AMPI sprl is a well-known and leading company in its niche market, with a strong presence at electrical wholesalers

in Belgium, and since 2016 also in France. Thanks to continuous product development under the leadership of Mrs Stassen (the founder's daughter) and her husband, the line of floor outlets has earned and strengthened its place on the market, as evidenced by the new IP66 line

(floor outlets with even better sealing, allowing them to be installed even outdoors), which led to higher market demand, and even opened doors to new contacts in the sector, both domestic and abroad.



Lithoss nv, which recently began operating from Pittem, specializes in design light switches and related products, and is represented in 30 countries around the world, has found the ideal product with ARPI to expand the line in order to accommodate rising market demand for floor outlets.

The fact that both product lines complement each other perfectly in terms of design and finish, and that Lithoss already has the network in place that ARPI was looking for, has led to an complete integration of ARPI into the Lithoss product portfolio.





The
collection

Lithoss 

ARPI 

Index

 **01. Arpi IP64**
— IP64



p. 08

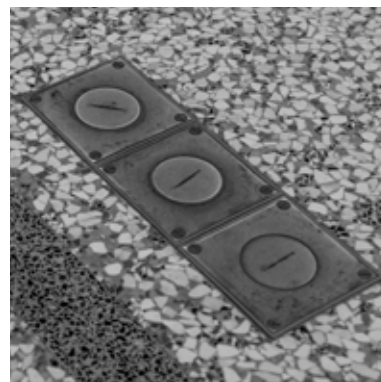
 **02. Arpi IP66**
— IP66



p. 20

Installation

— installation guidelines



p. 34

For more than 30 years, the brand ARPI provided its solidity
— and sealing to supply your underfloor current and data.

Lithoss

01. Arpi IP64

Design by AMPI

Indoor installation only

IP64 / IK10

Installation in concrete screed

Flush installation

Join plastic box (system tenon mortise)

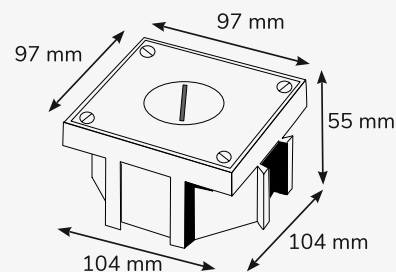
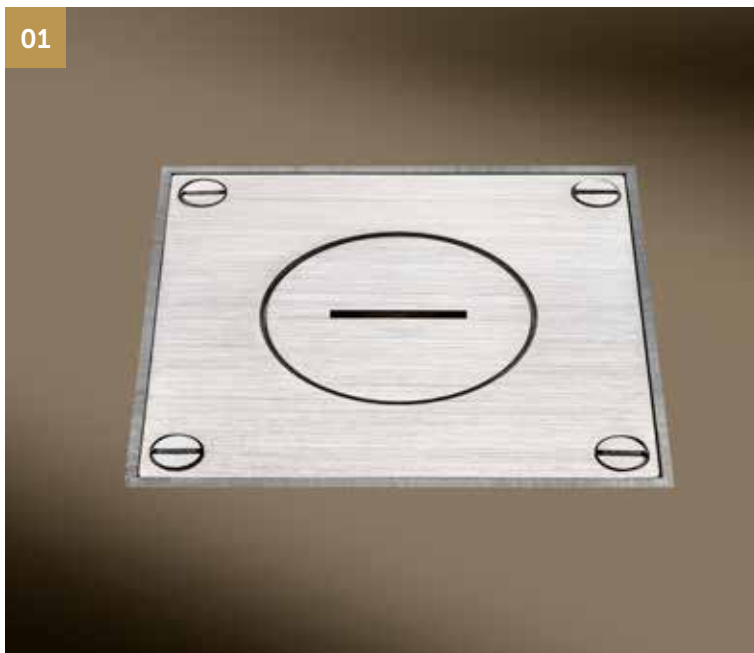






Arpi IP64

01



Available with

sockets (EU, FR/BE & UK)
network connections
audio/video connections
USB charger

Compatible with

Legrand Mosaic modules

IP64 - IK10

Ideas

Lids are also available with an Allen key for security reasons (see page 18).

Don't forget to install a socket underneath your dining table.

A floor outlet near your sofa avoids having
___ to use extension cables.

Recommendations

ARPI IP64 is only to be used for indoor use.

Ideal is to plan the location of your floor outlets at the beginning of your project.

It is important not to put the installation boxes directly in the screed but to leave a hole allowing you to adjust the height of your outlet to the thickness of your
___ flooring.





Arpi IP64

01 Stainless Steel Brushed



Sockets



Type	Ref.
FR/BE	AR6161301
EU	AR6161401
UK	AR6161801

Network



Type	Ref.
2x RJ45 UTP cat 6	AR6162601

Audio/video



Type	Ref.
1x loudspeaker	AR6161901
2x loudspeaker	AR6162901
HDMI 1.3	AR6164001
Radio - TV	AR6165901

USB charger



Type	Ref.
2x USB 1500mA	AR6164201





Arpi IP64

06 Brushed Brass



Safety lid can be ordered separately

Sockets



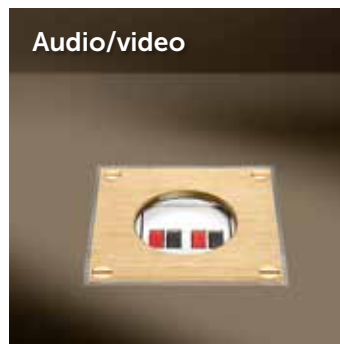
Type	Ref.
FR/BE	AR6161306
EU	AR6161406
UK	AR6161806

Network



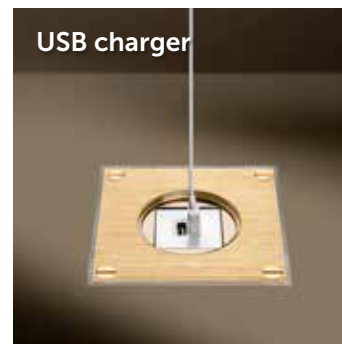
Type	Ref.
2x RJ45 UTP cat 6	AR6162606

Audio/video



Type	Ref.
1x loudspeaker	AR6161906
2x loudspeaker	AR6162906
HDMI 1.3	AR6164006
Radio - TV	AR6165906

USB charger



Type	Ref.
2x USB 1500mA	AR6164206

22 Stainless Steel Polished



Sockets



Type	Ref.
FR/BE	AR6361322
EU	AR6361422
UK	AR6361822

Network



Type	Ref.
2x RJ45 UTP cat 6	AR6362622

Audio/video



Type	Ref.
1x loudspeaker	AR6361922
2x loudspeaker	AR6362922
HDMI 1.3	AR6364022
Radio - TV	AR6365922

USB charger



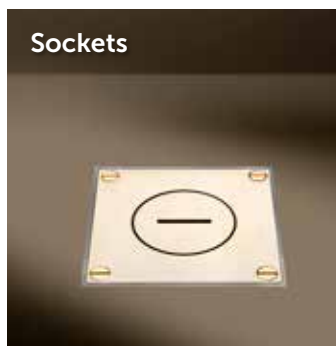
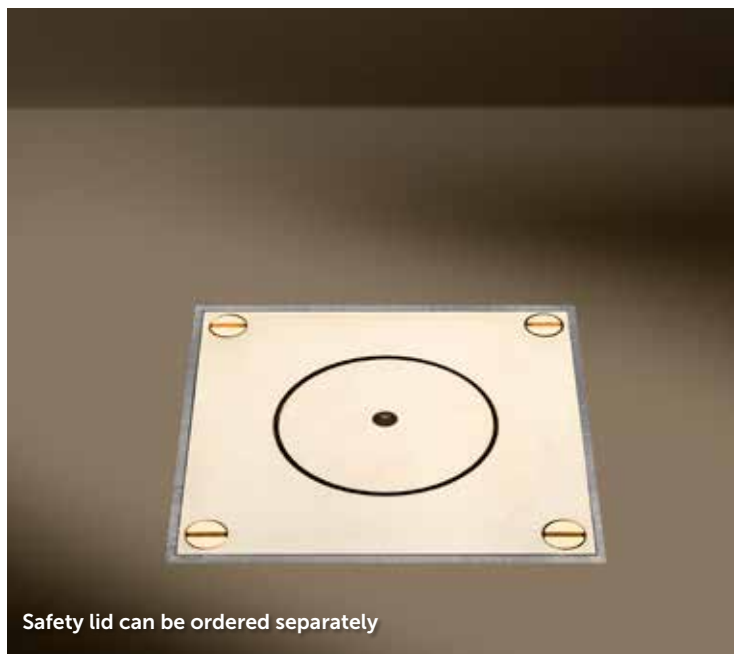
Type	Ref.
2x USB 1500mA	AR6364222





Arpi IP64

23 Polished Brass



Type	Ref.
FR/BE	AR6361323
EU	AR6361423
UK	AR6361823



Type	Ref.
2x RJ45 UTP cat 6	AR6362623



Type	Ref.
1x loudspeaker	AR6361923
2x loudspeaker	AR6362923
HDMI 1.3	AR6364023
Radio - TV	AR6365923



Type	Ref.
2x USB 1500mA	AR6364223



Arpi IP64

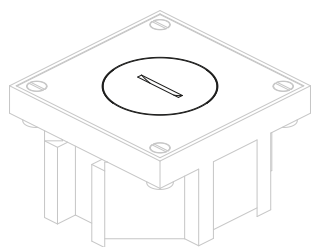
Lids



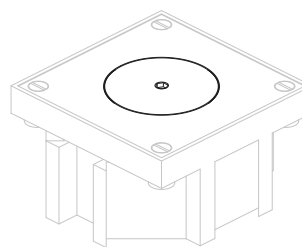
Standard Lid



Safety lid IP64 - Allen Key



Finish	Ref.
Stainless Steel Brushed	AR6145201
Brushed Brass	AR6145206
Stainless Steel Polished	AR6345222
Polished Brass	AR6345223



Finish	Ref.
Stainless Steel Brushed	AR61452S01
Brushed Brass	AR61452S06
Stainless Steel Polished	AR63452S22
Polished Brass	AR63452S23

— Lids are sold separately.



Arpi IP64

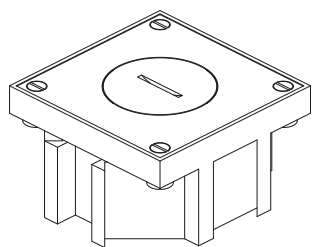
Accessories



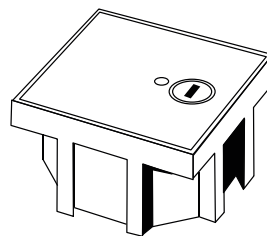
Floor outlet - device not included



Installation set (empty box IP64 with rubber seal and installation plate)



Finish	Ref.
Stainless Steel Brushed	AR6150001
Brushed Brass	AR6150006
Stainless Steel Polished	AR6350022
Polished Brass	AR6350023



Finish	Ref.
Installation set IP64	AR61000

— Compatible with Legrand Mosaic devices.

Lithoss

02. Arpi IP66

Design by Lithoss

—

Outdoor or indoor installation

IP66 / IK10

All types of floor (concrete screed or hollowed-out)

Flush or raised installation

Join plastic box (system tenon mortise)

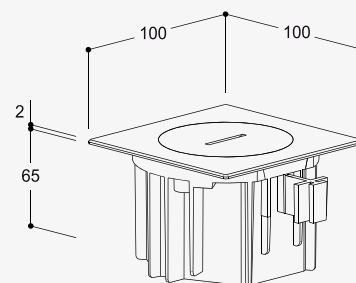
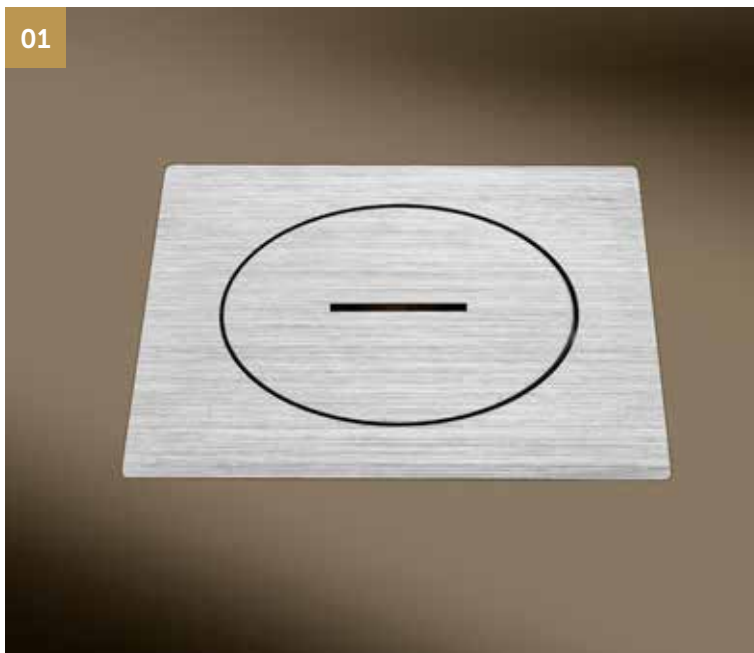






Arpi IP66

01



Available with

sockets (EU, FR/BE & UK)
network connections
audio/video connections
USB charger

Compatible with

Legrand Mosaic modules

IP66 - IK10

Ideas

Lids are also available with an Allen key for security reasons (see page 30).

ARPI floor outlets give your interior and / or outdoor spaces an elegant and unobtrusive way of supplying power via the floor.

You can choose between flush or raised installation.

Recommendations

The Stainless Steel versions can be used both indoor and outdoor.

The Brass versions are only to be used indoor.

ARPI outlets are suitable for the most demanding applications, both indoors and outdoors, and are durable against heavy loads (cars, ...) or intensive (shopping center, exhibition hall, ...) traffic.

Arpi IP66

01 Stainless Steel Brushed



Sockets



Type	Ref.
FR/BE	AR7161301
EU	AR7161401
UK	AR7161801

Network



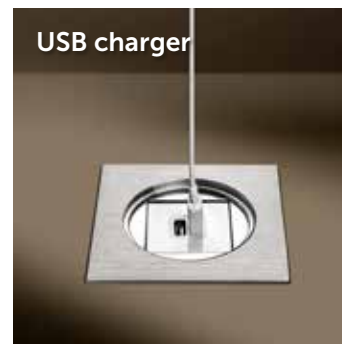
Type	Ref.
2x RJ45 UTP cat 6	AR7162601

Audio/video



Type	Ref.
1x loudspeaker	AR7161901
2x loudspeaker	AR7162901
HDMI 1.3	AR7164001
Radio - TV	AR7165901

USB charger

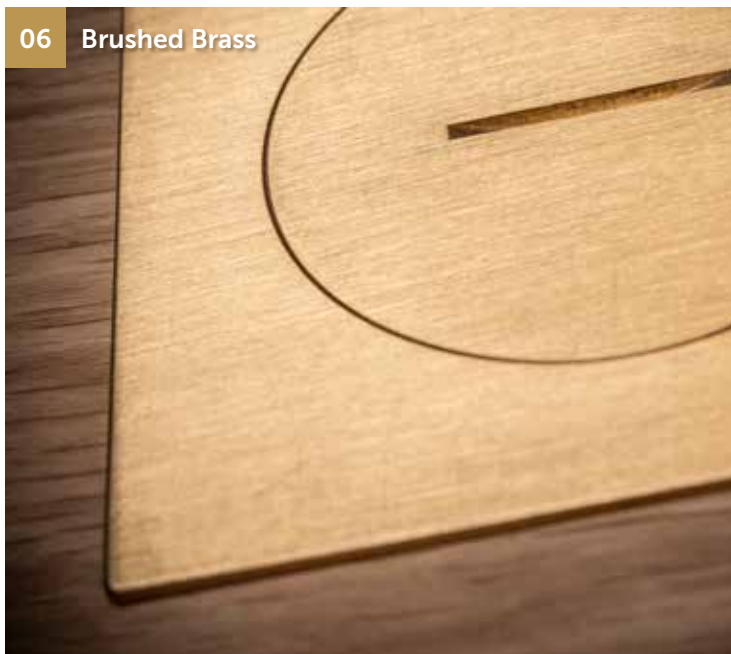


Type	Ref.
2x USB 1500mA	AR7164201



Arpi IP66

06 Brushed Brass



Sockets



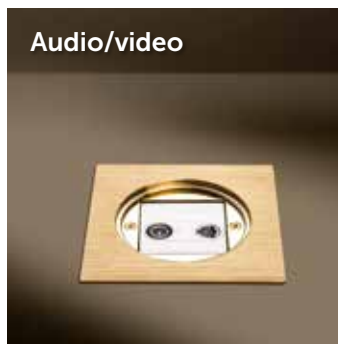
Type	Ref.
FR/BE	AR7161306
EU	AR7161406
UK	AR7161806

Network



Type	Ref.
2x RJ45 UTP cat 6	AR7162606

Audio/video



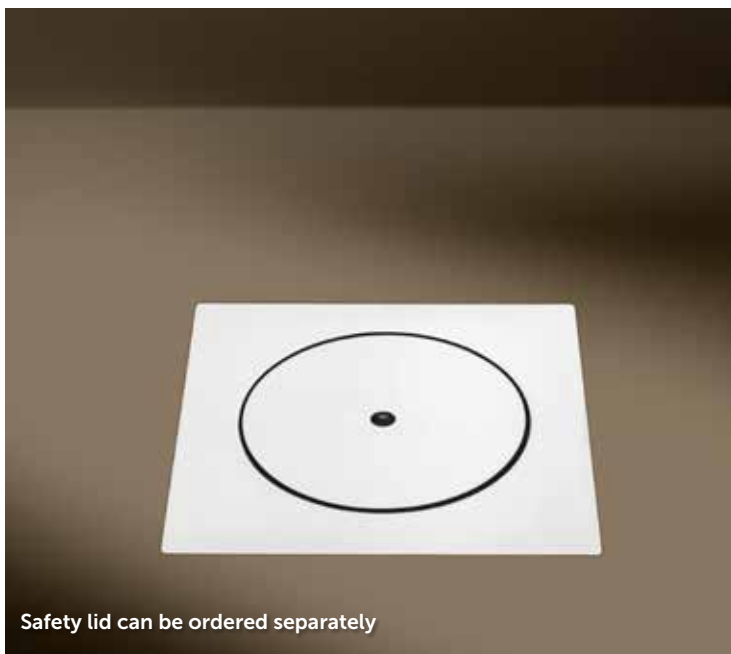
Type	Ref.
1x loudspeaker	AR7161906
2x loudspeaker	AR7162906
HDMI 1.3	AR7164006
Radio - TV	AR7165906

USB charger



Type	Ref.
2x USB 1500mA	AR7164206

22 Stainless Steel Polished



Type	Ref.
FR/BE	AR73613 ²²
EU	AR73614 ²²
UK	AR73618 ²²



Type	Ref.
2x RJ45 UTP cat 6	AR73626 ²²



Type	Ref.
1x loudspeaker	AR73619 ²²
2x loudspeaker	AR73629 ²²
HDMI 1.3	AR73640 ²²
Radio - TV	AR73659 ²²



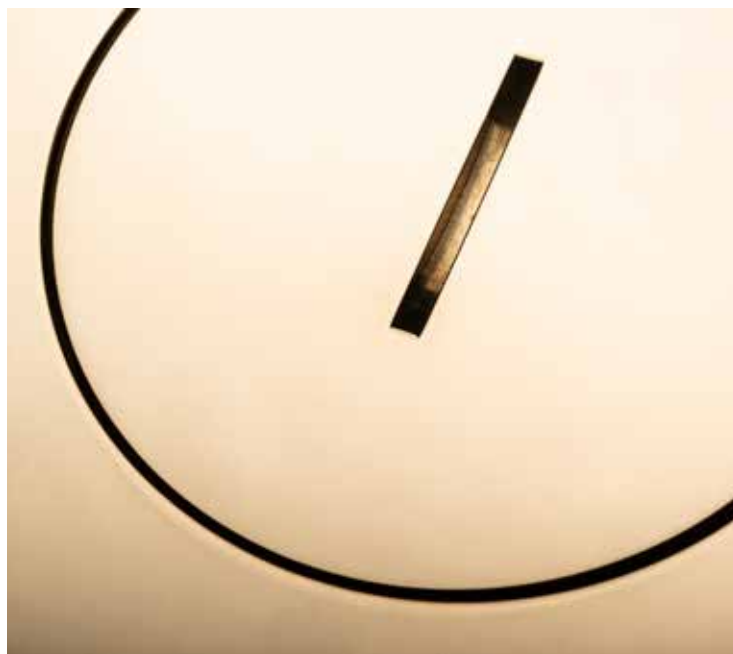
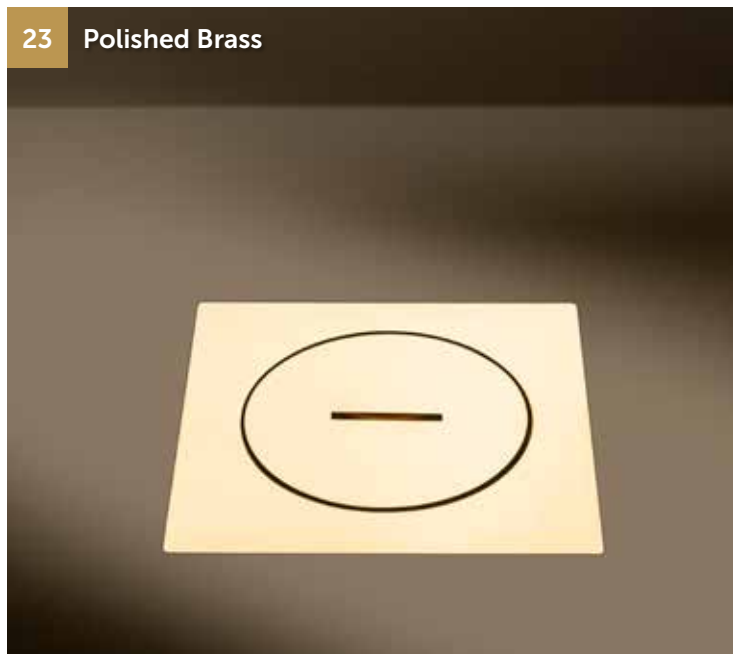
Type	Ref.
2x USB 1500mA	AR73642 ²²





Arpi IP66

23 Polished Brass

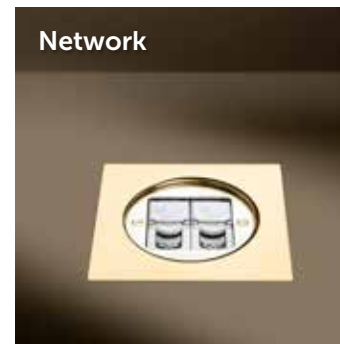


Sockets



Type	Ref.
FR/BE	AR7361323
EU	AR7361423
UK	AR7361823

Network



Type	Ref.
2x RJ45 UTP cat 6	AR7362623

Audio/video



Type	Ref.
1x loudspeaker	AR7361923
2x loudspeaker	AR7362923
HDMI 1.3	AR7364023
Radio - TV	AR7365923

USB charger



Type	Ref.
2x USB 1500mA	AR7364223



Arpi IP66

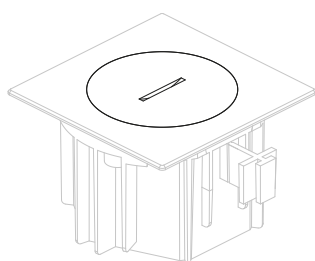
Lids



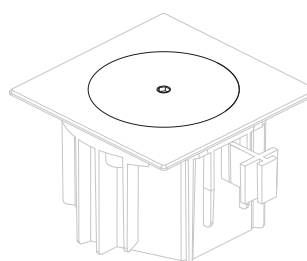
Standard Lid



Safety lid IP66 - Allen Key



Finish	Ref.
Stainless Steel Brushed	AR7145201
Brushed Brass	AR7145206
Stainless Steel Polished	AR7345222
Polished Brass	AR7345223



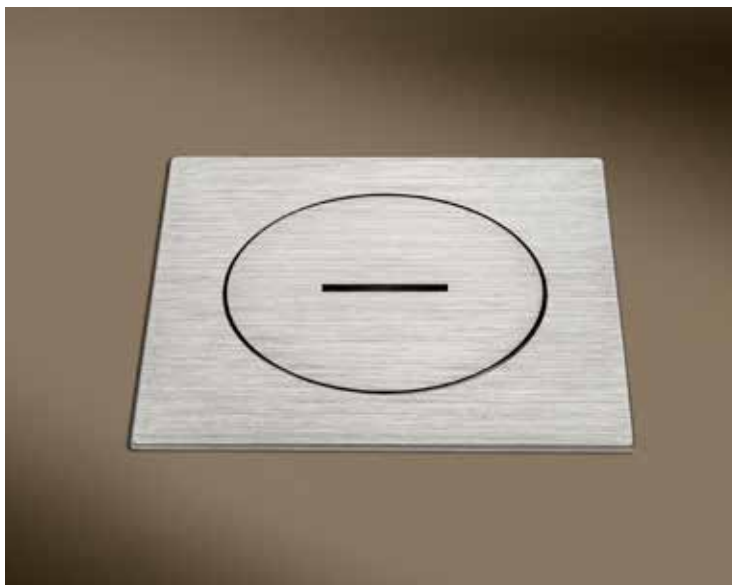
Finish	Ref.
Stainless Steel Brushed	AR71452S01
Brushed Brass	AR71452S06
Stainless Steel Polished	AR73452S22
Polished Brass	AR73452S23

— Lids are sold separately.



Arpi IP66

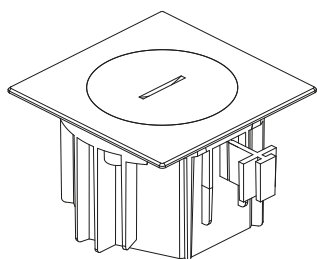
Accessories



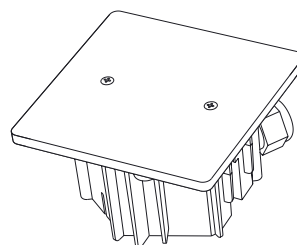
Floor outlet - device not included



Installation set (empty box IP66, screws and installation plate)



Finish	Ref.
Stainless Steel Brushed	AR7150001
Brushed Brass	AR7150006
Stainless Steel Polished	AR7350022
Polished Brass	AR7350023



Finish	Ref.
Installation set IP66	AR71000

— Compatible with Legrand Mosaic devices.





Arpi

Colors



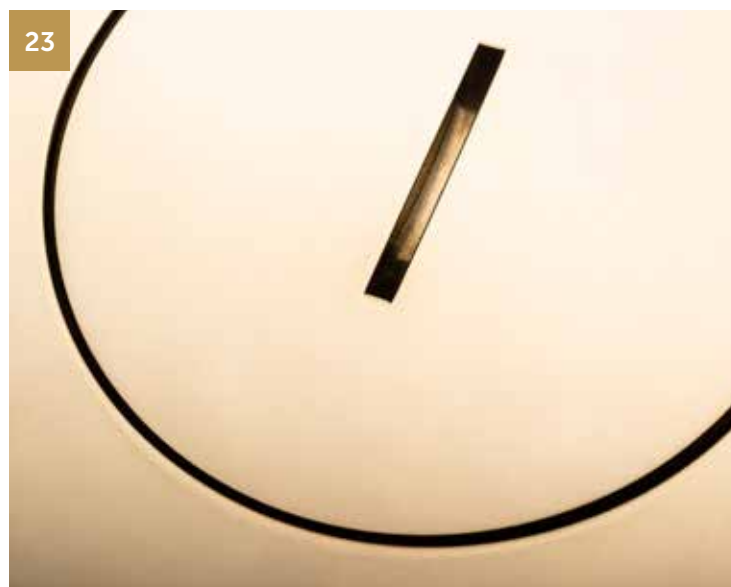
Stainless Steel Brushed



Brushed Brass



Stainless Steel Polished



Polished Brass

Lithoss ARPI

Installation guidelines

1. IP64

- 1.1 Installation in concrete 37
- 1.2 Installation in tile floor 37

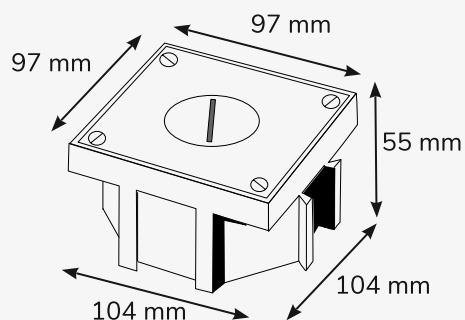
2. IP66

- 2.1 Flush installation in concrete 39
- 2.2 Flush installation in tile floor .. 39
- 2.3 Raised installation in tiles 40
- 2.4 Raised installation in parquet 40





1. Arpi IP64



*Installation scenario depends on chosen edition.

General description

The ARPI outlet IP64 which exists more than 30 years does no longer need to prove its robustness (IK10 Certificated) and its watertightness (IP64 Certificated) for your installation in concrete screed. Stainless steel or brass available.

Technical specifications

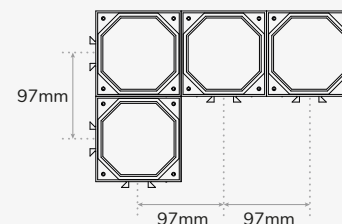
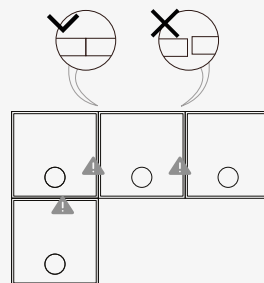
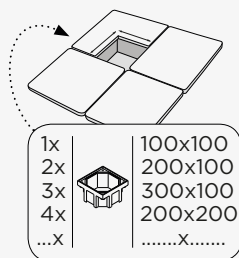
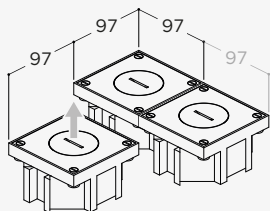
Indoor use
 Different modules available
 Compatible with Legrand Mosaic

Concrete screed (only indoor installation), polished concrete, tiles or parquet glued

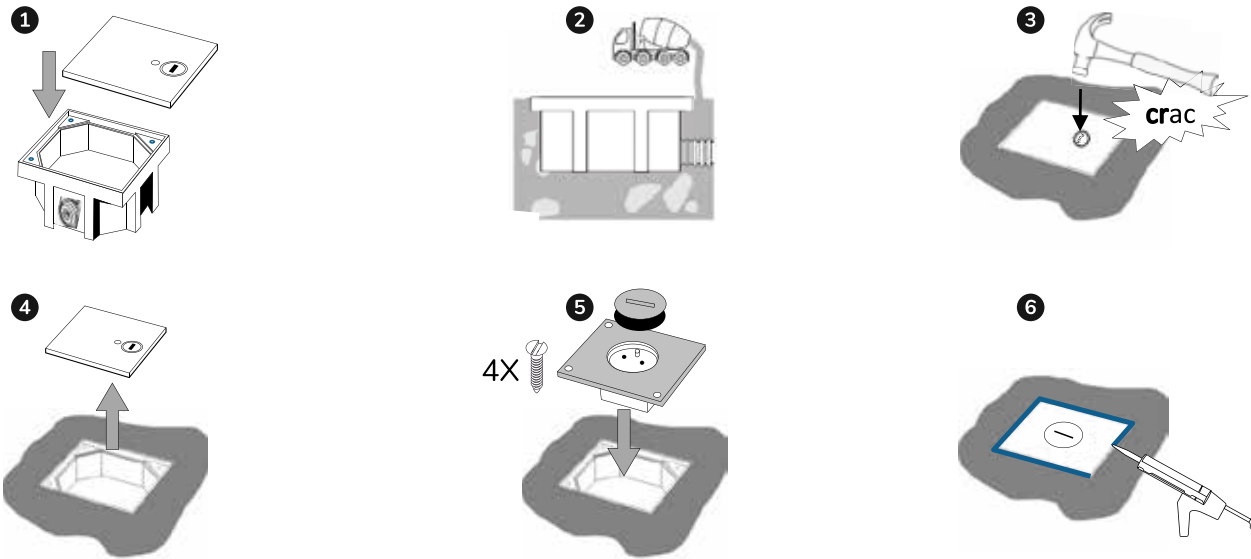
Approval

CE	Conform
RoHS	RoHS compatible
IP	64
IK	10

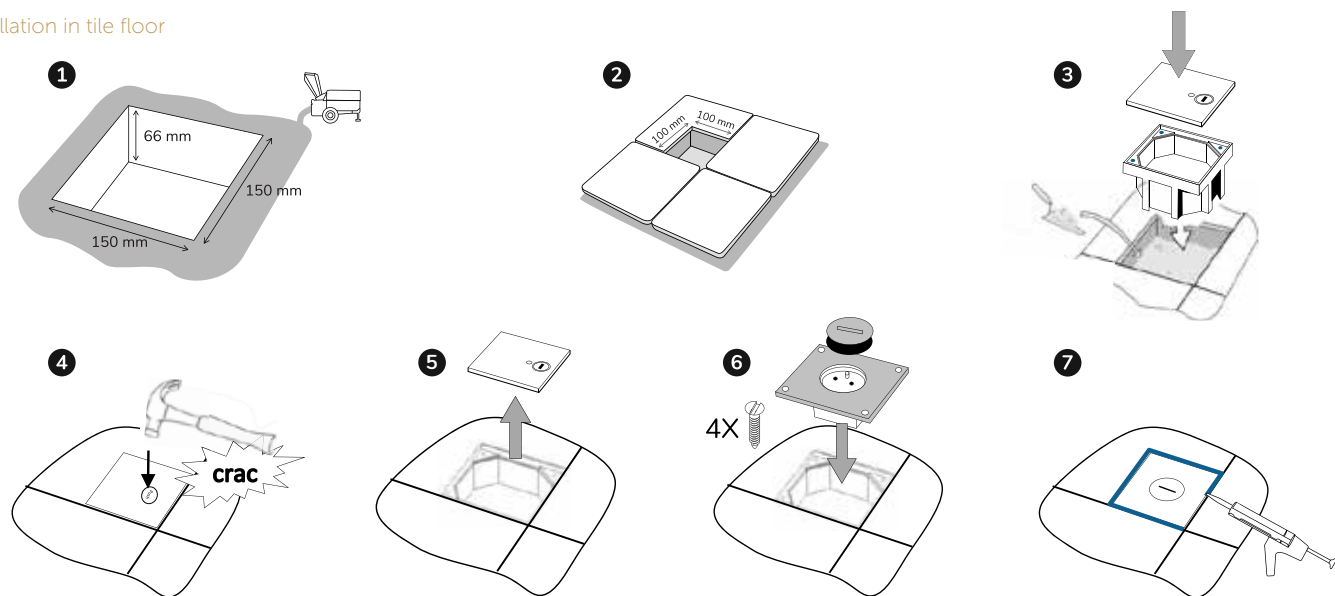
Installation distances (multiple combinations)



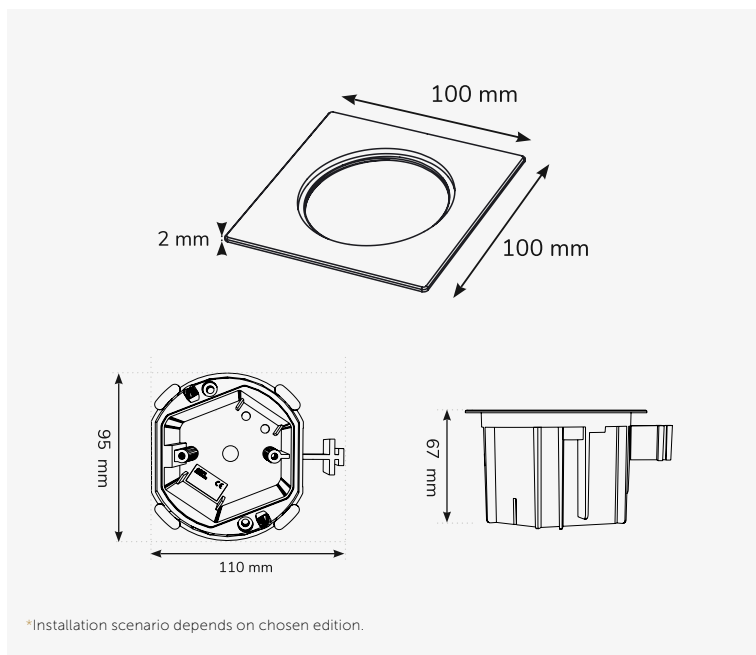
1.1 Installation in concrete



1.2 Installation in tile floor



2. Arpi IP66



General description

The ARPI outlet IP66 (stainless steel or brass) supply underfloor currents or data thanks to its robustness (IK10 Certified) and its watertightness (IP66 Certified). The ARPI floor outlets can easily be placed outside (only stainless steel) or indoor on all types of floor (concrete screed or hollowed-out). You can choose between flush or raised installation.

Technical specifications

Stainless Steel: indoor and outdoor use
Brass: indoor use only

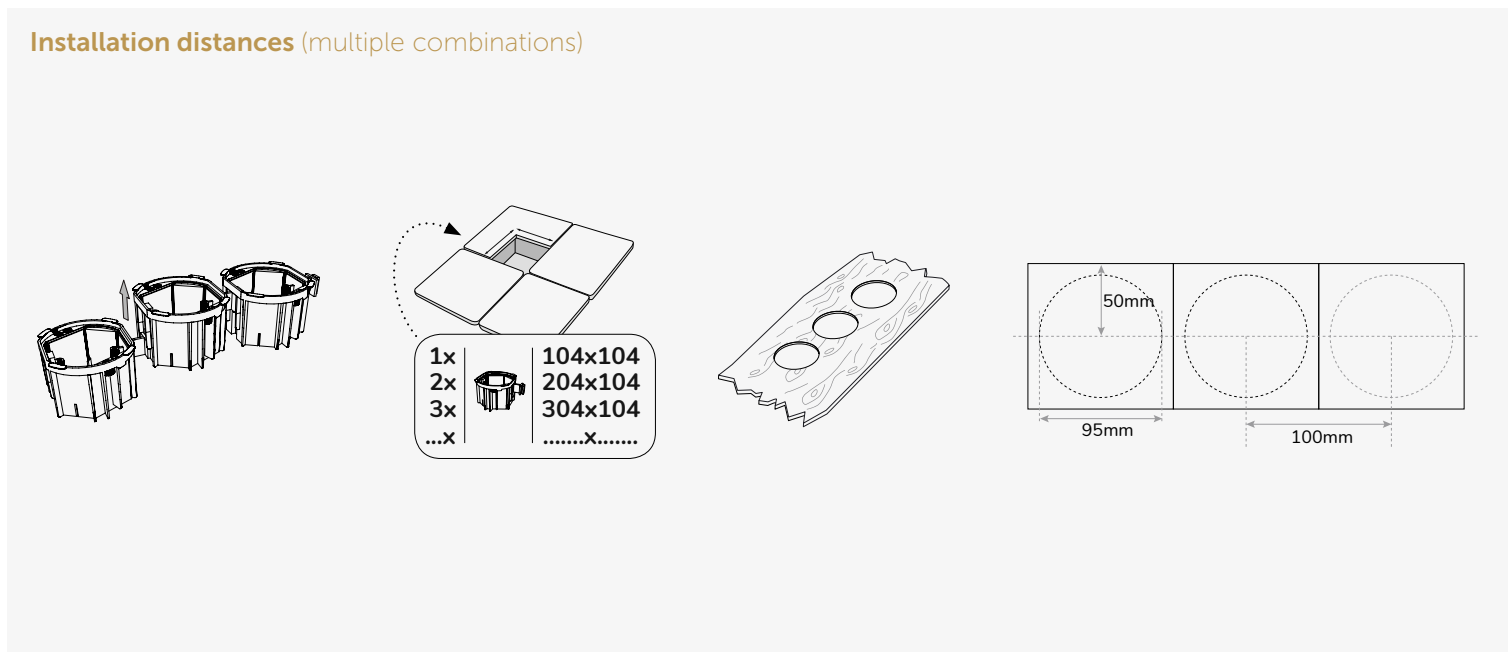
Different modules available
Compatible with Legrand Mosaic

Concrete screed or hollowed-out (outdoor and indoor),
polished concrete, tiles or parquet glued

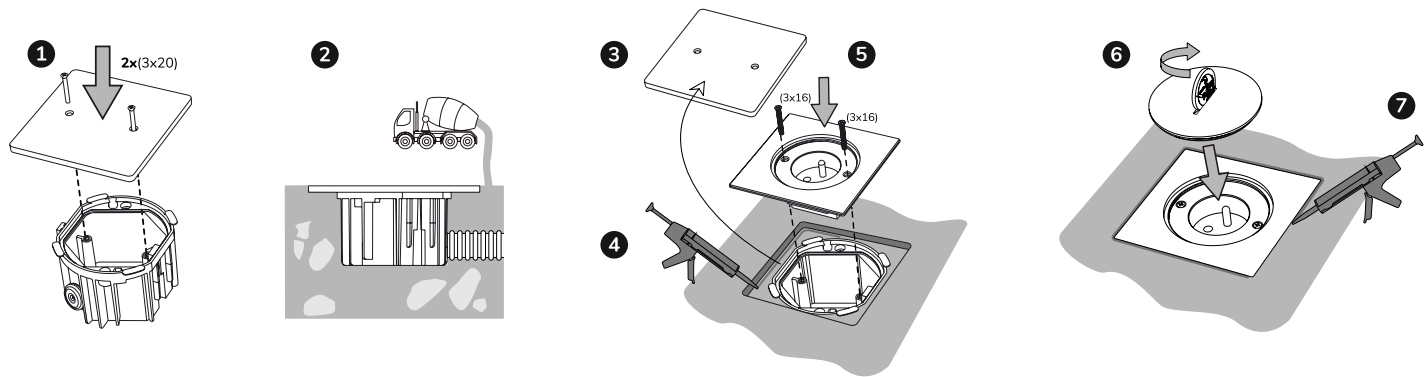
Approval

CE	Conform
RoHS	RoHS compatible
IP	66
IK	10

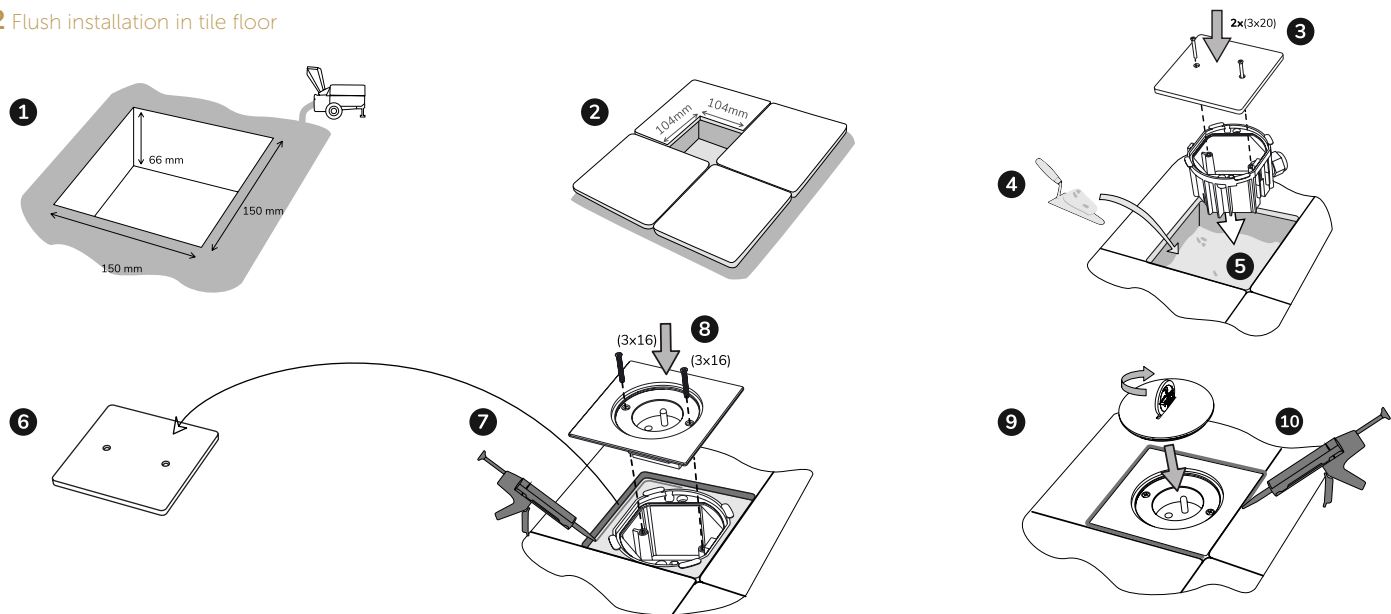
Installation distances (multiple combinations)



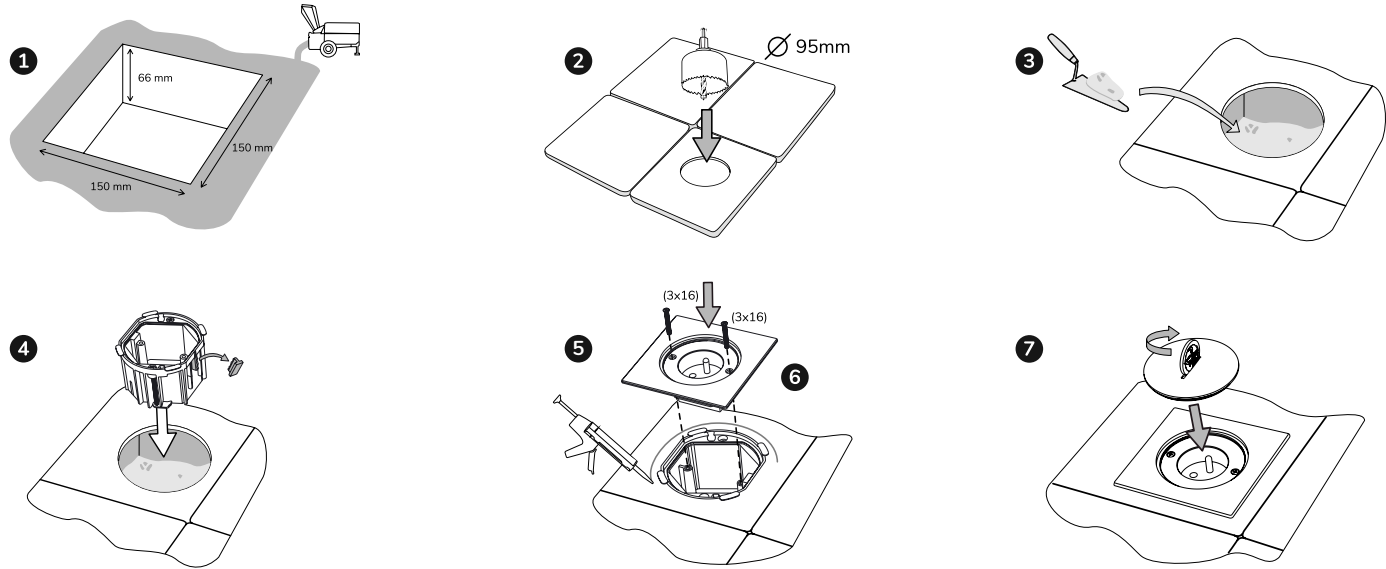
2.1 Flush installation in concrete



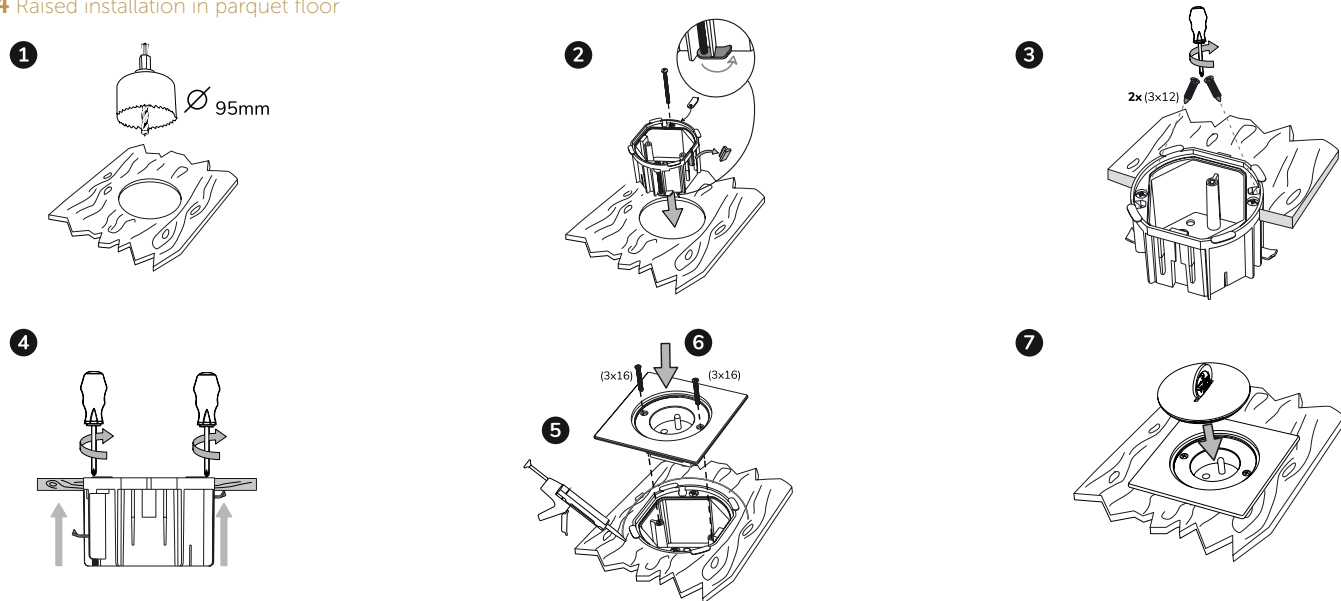
2.2 Flush installation in tile floor



2.3 Raised installation in tile floor



2.4 Raised installation in parquet floor







www.lithoss.com